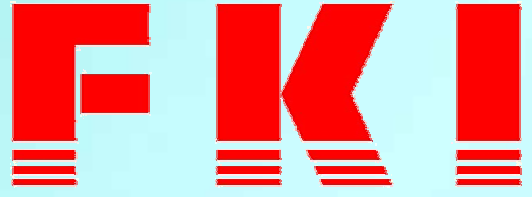


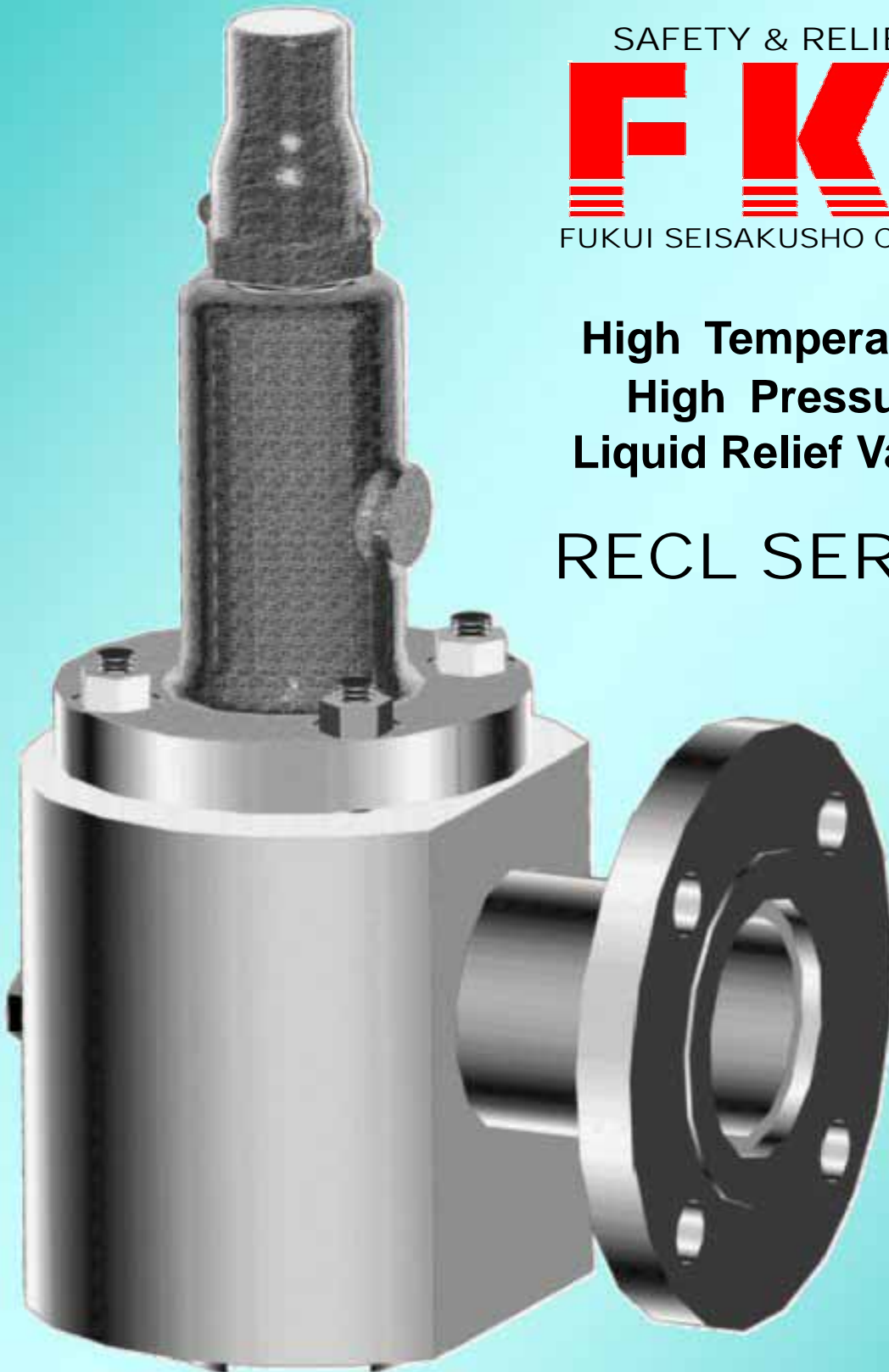
SAFETY & RELIEF VALVE



FUKUI SEISAKUSHO CO., LTD.

**High Temperature,
High Pressure
Liquid Relief Valves**

RECL SERIES



RECL valves were developed primarily for high temperature, high pressure liquids such as those of boiler feed water heaters.

In terms of structure and materials, they are designed to withstand the harsh environments of high temperature and pressures.

Their features include optimized shapes of major components to achieve smooth operating characteristics to suit the use of liquids, forged bodies that can cope with excessive pipe counteraction, and treatment to harden the surfaces of sliding parts so they can stand up to continuous operation.

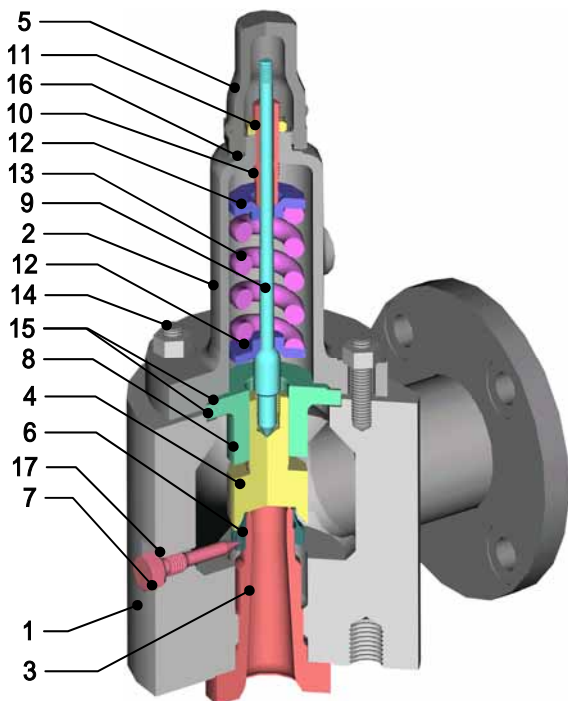
Specification

Pressure limit *	: 5.72 ~ 42.5 MPa
Temperature limit *	: 142 ~ 371 °C
Blow down	: 15 %
Coefficient of discharge	: $K=0.717$ (Sec. VIII)

*Pressure & Temperature limit less than ANSI Flange Limit.



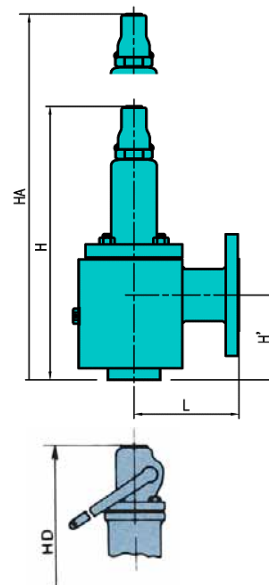
Parts Materials



No.	Parts Name	Material
1	Body	A105
2	Bonnet	A216 WCB or SCPH2
3	Nozzle	A105
4	Disc	SUS630
5	Cap	CARBON STEEL
6	Lower Ring	STAINLESS STEEL
7	Lower Lock Bolt	CARBON STEEL
8	Guide	STAINLESS STEEL
9	Spindle	STAINLESS STEEL
10	Adjusting Screw	STAINLESS STEEL
11	Adj. Screw Lock Nut	STEEL
12	Spring Washer	STEEL
13	Spring	ALLOY STEEL
14	Stud Bolt & Nut	ALLOY STEEL
15	Gasket	Non Asbestos or Metal
16	Gasket	Non Asbestos or Metal
17	Gasket	Non Asbestos or Metal

Dimension

Size	Type	Throat area cm ²	ANSI Flange		Center to Face		Height		Dismantling Height HA	Approx. Weight kg
			Inlet	Outlet	Inlet	Outlet	H	HD		
1 1/2 x D x 2	RECL 561,571	0.882	900	300	100	150	430	480	650	36
1 1/2 x D x 2	RECL 661,671	0.882	1500	300	100	150	430	480	650	36
1 1/2 x D x 3	RECL 761,771	0.882	2500	300	122	180	520	565	780	61
1 1/2 x E x 2	RECL 561,571	1.815	900	300	100	150	430	480	650	36
1 1/2 x E x 2	RECL 661,671	1.815	1500	300	100	150	430	480	650	36
1 1/2 x E x 3	RECL 761,771	1.815	2500	300	122	180	520	565	780	61
1 1/2 x F x 3	RECL 561,661	2.433	900	300	122	165	450	500	680	42
1 1/2 x F x 3	RECL 661,671	2.433	1500	300	122	165	450	500	680	42
1 1/2 x F x 3	RECL 761,771	2.433	2500	300	122	180	520	565	780	61
1 1/2 x G x 3	RECL 561,571	3.836	900	300	122	165	470	505	710	43
2 x G x 3	RECL 661,671	3.836	1500	300	122	200	525	570	790	73
2 x G x 3	RECL 761,771	3.836	2500	300	122	200	525	570	790	73
2 x H x 3	RECL 561,571	5.940	900	150	122	175	535	585	800	70
2 x H x 3	RECL 661,671	5.940	1500	300	122	190	535	585	800	73



SAFETY & RELIEF VALVE

FKI
FUKUI SEISAKUSHO CO., LTD.



株式会社 福井製作所

<http://www.fkis.co.jp/>

● Head Office & Factory

- Overseas Team
- Yokohama Office
- Osaka Office
- Kyusyu Office

6.1-chome, Shodai Tajika, Hirakata, Osaka, Japan

TEL +81-72-857-4521

TEL +81-72-857-4527

TEL +81-45-441-4411

TEL +81-72-857-5501

TEL +81-93-531-5885

FAX +81-72-857-3764

FAX +81-72-857-3324

FAX +81-45-441-0031

FAX +81-72-857-5502

FAX +81-93-531-5886

zip code 573-1132

e-mail : fki@fkis.co.jp

e-mail : stm@fkis.co.jp

e-mail : ybm@fkis.co.jp

e-mail : osk@fkis.co.jp

e-mail : fkikb@muj.biglobe.ne.jp

Note : material and specifications in this catalog are subject to change.